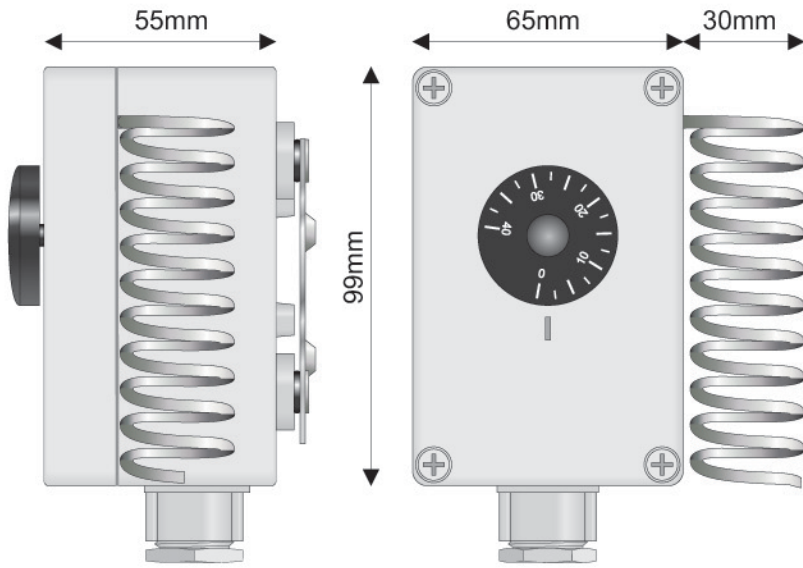


Frost Thermostat



Information and Application

A practical surface mounted mechanical thermostat suitable for temperature control in industrial environments, refrigeration and cooling cellars, greenhouses and electrical panels.

The Thermostat permits the user to control a heating system to react to temperatures which if low enough could result in frost damage either to the system itself, or to the environment in which it is located. The concept is similar to a room thermostat, but it senses lower temperatures and ignores and by-passes all other timers and thermostats.

The device should be set at a temperature of between 3 & 5 deg°C and should be placed above areas which are at risk of frost damage.

This unit can be used to switch circulating pumps, boilers or most common motorised zone valves. The device is designed to be used internally. If externally applied, ensure that is enclosed within a weather proofed housing.

Construction

Intended for surface fitting, the Frost Thermostat incorporates:-

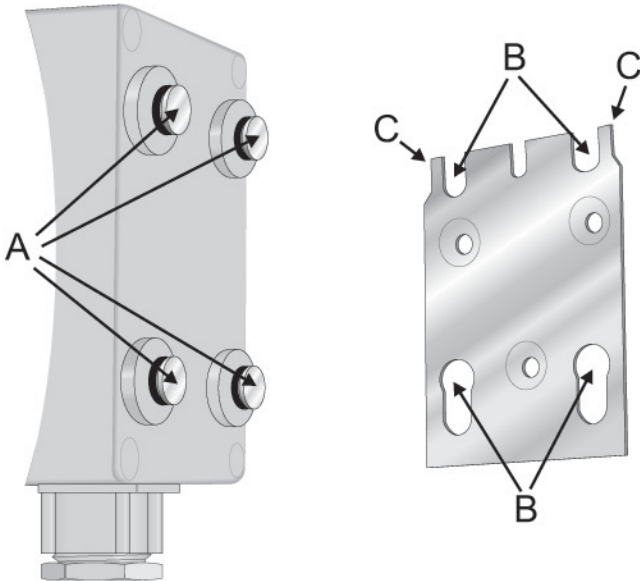
- 1 A liquid expansion sensing element, the ambient temperature being detected by a stainless steel spiral capillary.
- 2 A stainless steel sensing element membrane.
- 3 Base, cover and adjustment dial made from self extinguishing and anti-shock thermoplastic.
- 4 PVC grommet for cable entry.

Installation

Once the wall plate has been adequately secured to an appropriate surface, the body of the thermostat is located by engaging the broad head of the studs A, into the holes and slots B, and then pushed down until secure. For additional security, the edges of the tags C, can be distorted to prevent the unit from being lifted up and off the wall plate. The electrical connections can now be made for which the temperature adjustment dial should be gently prised off and the front housing screws removed.

Setting The Temperature

Turn the dial to the desired setting making sure the temperature at which the device is required to operate frost protection, lines up with the mark on the main body of the thermostat.



Specification

Voltage Rating : 230V AC 50Hz
 Switch Rating : 16A resistive. 4A inductive
 Switch Type : Single pole, single throw (SPST)
 Temperature Setting Range : 0 to 40°C.
 Standards : Complies with BS EN60730-2-9
 Ingress Protection rated to IP 55



This thermostat must be fitted by a qualified and competent electrician.

Wiring Diagram

Snap Action SPDT microswitch contacts in AgCdO

When Temperature Rises:
 1 - C opens 2 - C closes

